

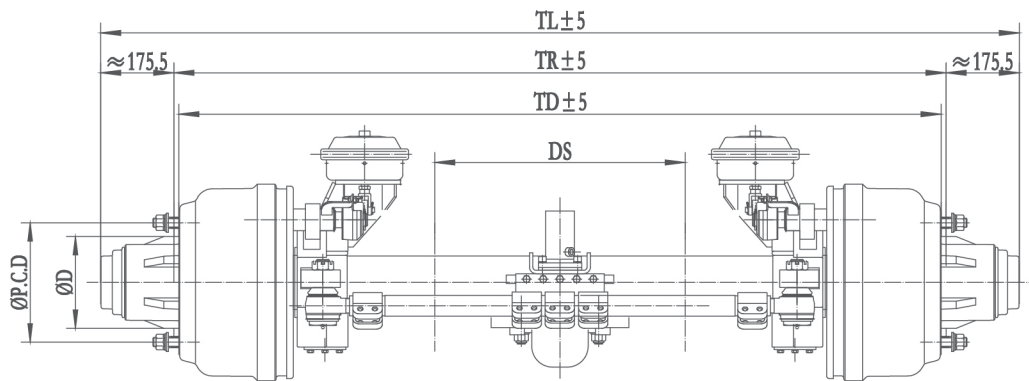
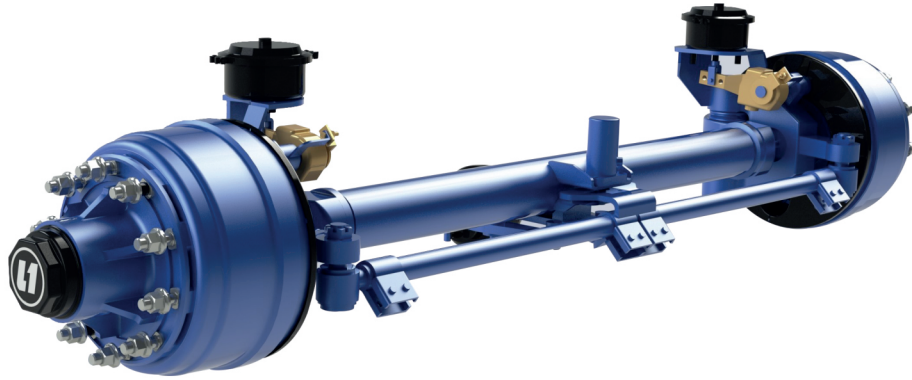


YONGLITAI AXLE

Transport your load safely
efficiently and sustainably

PRODUCT CATALOG

Self-steering Axle



Technical parameter

Item	Max capacity at 105km/h	Brake size	Axle beam	Bearing	Track distance	Distance of spring center	Spline	Wheel fixing			Total length	Wheel
								Wheel stud	P.C.D.	Pilot hole diameter ØD		
LTD11Y10S	11t	S311x190	Φ127	33213 HM518445/10	1950mm	≥700mm	10	10-M22*1.5 ISO	Φ225	Φ176mm	≈2270mm	≥17.5x6.75
LTD12Y10S	12t	S311x190	Φ127	33213 HM518445/10	1950mm	≥700mm	10	10-M22*1.5 ISO	Φ225	Φ176mm	≈2270mm	≥17.5x6.75
LTD12Y11S	12t	S420x180	Φ127	HM518445/10	1950mm	≥700mm	10	10-M22*1.5 ISO	Φ335	Φ281mm	≈2300mm	≥8.00V-20
LTD13R11S	13t	S420x180	Φ146	HM518445/10	1950mm	≥700mm	10	10-M22*1.5 ISO	Φ335	Φ281mm	≈2300mm	≥8.00V-20

- Note:**
1. Track length is optional.
 2. ABS and automatic slack adjuster are optional.
 3. Rights of changing product design and specification are reserved.

The Customized Solution Provider for Running Gear Systems

YONGLITAI AXLE CO.,LTD.

- 🏠 Add.1: F1, F2, No.1, Zone E, Yonglitai Industrial Park,
Sanshui, Foshan, Guangdong, China
Add.2: Mohe Community, Economic Development Zone,
Gucheng, Xiangyang, Hubei, China
- ☎ Tel: +86-757-88311381(Oversea)
+86-757-88311360(Foshan)
+86-0710-7402969(Hubei)
- ☎ Fax: +86-757-88311322
- ✉ E-mail: sales@lctmc.com
- 🌐 Website: www.lctmc.com