

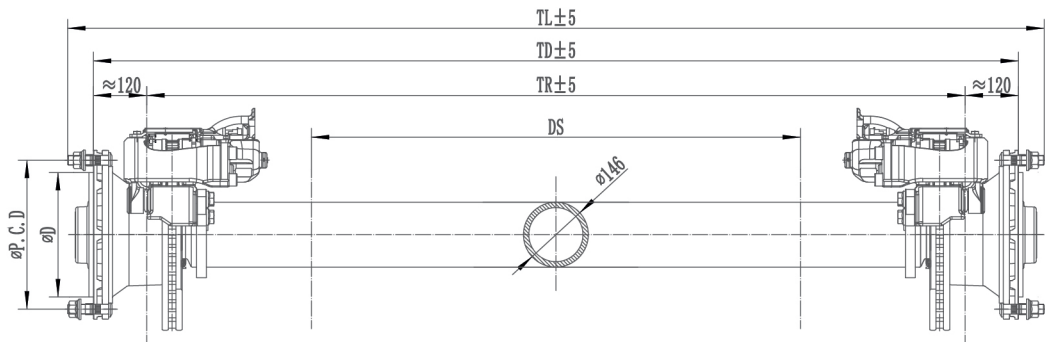
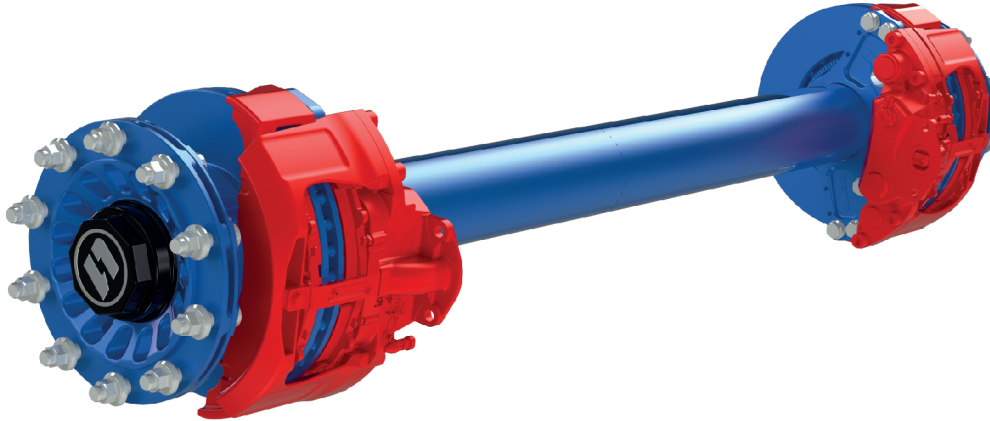


YONGLITAI AXLE

Transport your load safely
efficiently and sustainably

PRODUCT CATALOG

S09 Single Tire Type Disk Brake Axle

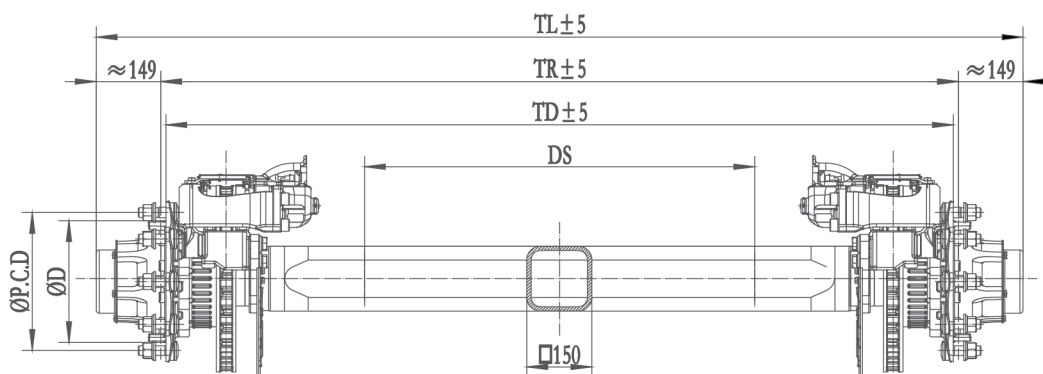
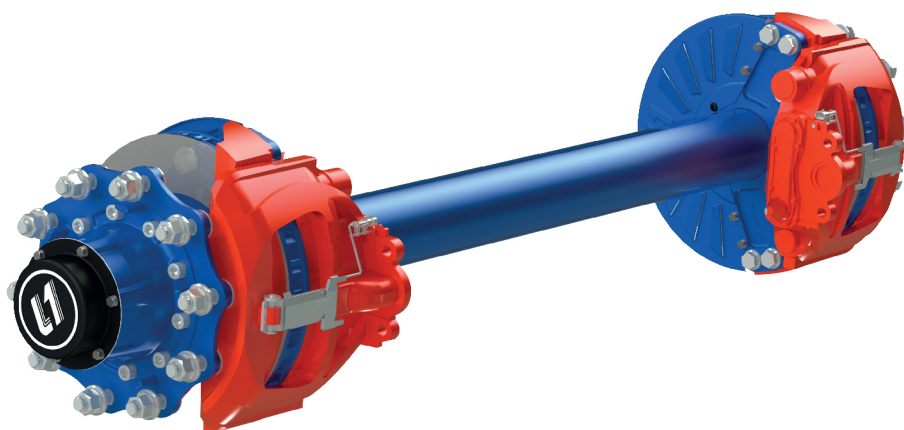


Technical parameter

Item	Max capacity at 105km/h	Brake size	Axle beam	Bearing	Track distance	Distance of spring center	Wheel fixing			Total length	Wheel
							Wheel stud	P.C.D.	Pilot hole diameter ΦD		
LTS09R11D	9t	22.5" Φ430x45	Φ146	HM518445/10	2040mm	1300mm	10-M22*1.5 ISO	Φ335	Φ281	≈2190mm	9.00-22.5 (ET-120)
LTS09W11D	9t	22.5" Φ430x45	□120	HM518445/10	2040mm	1300mm	10-M22*1.5 ISO	Φ335	Φ281	≈2190mm	9.00-22.5 (ET-120)

- Note:**
1. Track length is optional.
 2. ABS is standard configuration for Disc Brake Axle.
 3. Rights of changing product design and specification are reserved.

LDB Disk Brake Axle

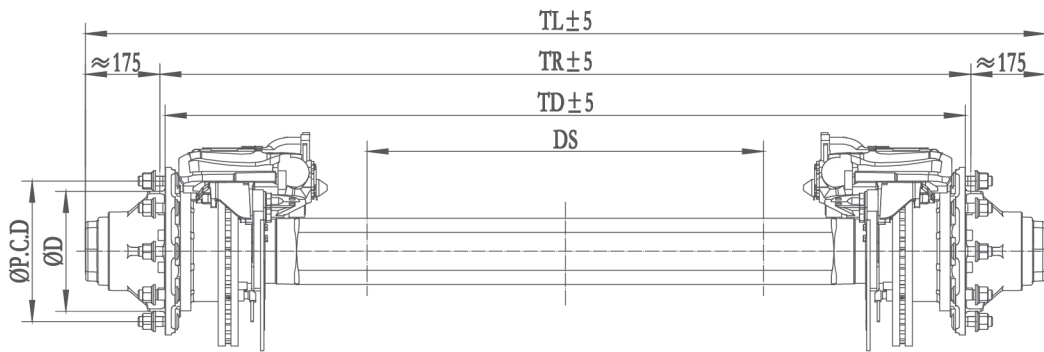


Technical parameter

Item	Max capacity at 105km/h	Brake size	Axle beam	Bearing	Track distance	Distance of spring center	Wheel fixing			Total length	Wheel
							Wheel stud	P.C.D.	Pilot hole diameter ΦD		
LTD10F11DL	10t	22.5" Φ430x45"	□150	HM518445/10	1840mm	≥900mm	10-M22*1.5 ISO	Φ335	Φ281mm	≈2140mm	≥8.25-22.5
LTD10Y11DL	10t	22.5" Φ430x45"	Φ127	HM518445/10	1840mm	≥900mm	10-M22*1.5 ISO	Φ335	Φ281mm	≈2140mm	≥8.25-22.5
LTD10R11DL	10t	22.5" Φ430x45"	Φ146	HM518445/10	1840mm	≥900mm	10-M22*1.5 ISO	Φ335	Φ281mm	≈2140mm	≥8.25-22.5

- Note:**
1. The brake disc must not get wet.
 2. Need to install 22.5 "or above rims.
 3. Track length is optional.
 4. ABS is optional.
 5. Rights of changing product design and specification are reserved.

HDB Disk Brake Axle



Technical parameter

Item	Max capacity at 105km/h	Brake size	Axle beam	Bearing	Track distance	Distance of spring center	Wheel fixing			Total length	Wheel
							Wheel stud	P.C.D.	Pilot hole diameter ØD		
LTD13F11D	13t	22.5" Φ430x45"	□150	HM518445/10	1840mm	≥900mm	10-M22*1.5 ISO	Φ335	Φ281mm	≈2190mm	≥8.25-22.5
LTD13Y11D	13t	22.5" Φ430x45"	Φ127	HM518445/10	1840mm	≥900mm	10-M22*1.5 ISO	Φ335	Φ281mm	≈2190mm	≥8.25-22.5

- Note:**
1. The brake disc must not get wet.
 2. Need to install 22.5" or above rims.
 3. Track length is optional.
 4. ABS is optional.
 5. Rights of changing product design and specification are reserved.

The Customized Solution Provider for Running Gear Systems

YONGLITAI AXLE CO.,LTD.

- 🏠 Add.1: F1, F2, No.1, Zone E, Yonglitai Industrial Park,
Sanshui, Foshan, Guangdong, China
Add.2: Mohe Community, Economic Development Zone,
Gucheng, Xiangyang, Hubei, China
- ☎ Tel: +86-757-88311381(Oversea)
+86-757-88311360(Foshan)
+86-0710-7402969(Hubei)
- ☎ Fax: +86-757-88311322
- ✉ E-mail: sales@lctmc.com
- 🌐 Website: www.lctmc.com