

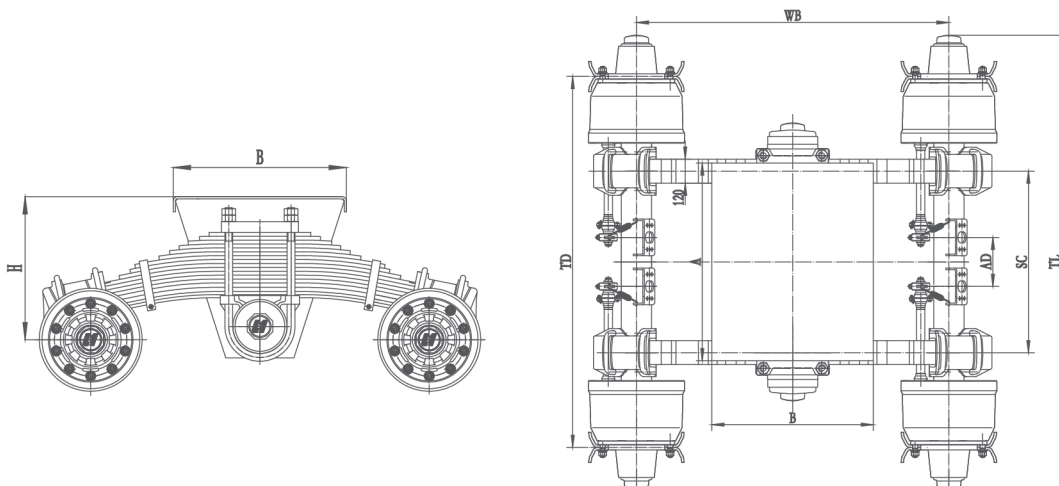


YONGLITAI AXLE

Transport your load safely
efficiently and sustainably

PRODUCT CATALOG

High Mounting Bogie

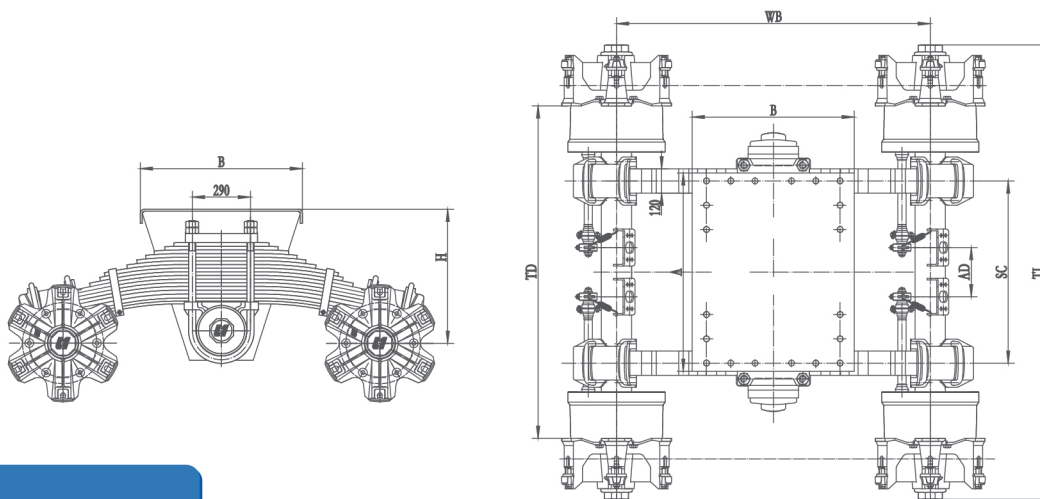
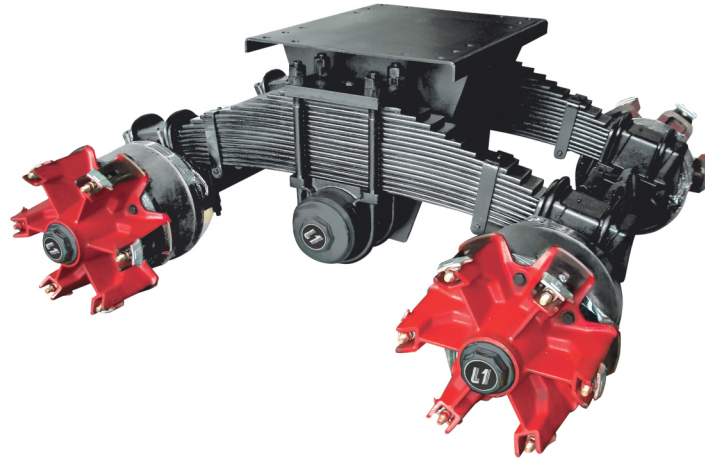


Technical parameter

Model	Load capacity	Brake	Track distance	Distance of spring center	Wheel base	Bearing	Spline (AxBxH)	Wheel stud	P.C.D	Pim	Spring width/QTY
BG1811	18t x2	S420x220	1840mm	900mm	1550mm	32222/32314	800x980x660	10-M20x1.5	335/281mm	8.5V-20	120mm/17
BG1611	16t x2	S420x200	1840mm	900mm	1550mm	32222/32314	800x980x660	10-M20x1.5	335/281mm	8.5V-20	120mm/17
BG1411	14t x2	S420x200	1840mm	900mm	1550mm	32219/33215	800x980x660	10-M20x1.5	335/281mm	8.0V-20	120mm/17
BG1211	12t x2	S420x180	1840mm	980mm	1400mm	33118/33213	700x980x660 800x980x660	10-M20x1.5	335/281mm	7.5V-20	90mm/18

- Note:**
1. Track length is optional.
 2. ABS and automatic slack adjuster are optional.
 3. Copper bush and composite bush are optional as equalizer bush.
 4. Rights of changing product design and specification are reserved.

Spoke Wheel High Mounting Bogie



Technical parameter

Model	Load capacity	Brake	Track distance	Distance of spring center	wheel base	Bearing	Spline (AxBxH)	Wheel stud	Pim	Spacer	Spring width/QTY
BG1868	18t x2	S420x200	1840mm	900mm	1550mm	32222/32314	800x980x660	6-M20x2	8.5V-24	147-24mm	120mm/17
BG1668	16t x2	S420x200	1840mm	900mm	1550mm	32222/32314	800x980x660	6-M20x2	8.5V-24	147-24mm	120mm/17
BG1468	14t x2	S420x200	1840mm	900mm	1550mm	32219/33215	800x980x660	6-M20x2	8.5V-24	147-24mm	120mm/17
BG1268	12t x2	S420x180	1840mm	980mm	1400mm	33118/33213	700x980x660 700x1060x660 800x980x660	6-M20x2	8.5V-24	130-24mm	90mm/18

- Note:**
1. Track length is optional.
 2. ABS and automatic slack adjuster are optional.
 3. Copper bush and composite bush are optional as equalizer bush.
 4. Rights of changing product design and specification are reserved.

The Customized Solution Provider for Running Gear Systems

YONGLITAI AXLE CO.,LTD.

- 🏠 Add.1: F1, F2, No.1, Zone E, Yonglitai Industrial Park,
Sanshui, Foshan, Guangdong, China
Add.2: Mohe Community, Economic Development Zone,
Gucheng, Xiangyang, Hubei, China
- ☎ Tel: +86-757-88311381(Oversea)
+86-757-88311360(Foshan)
+86-0710-7402969(Hubei)
- ☎ Fax: +86-757-88311322
- ✉ E-mail: sales@lctmc.com
- 🌐 Website: www.lctmc.com