

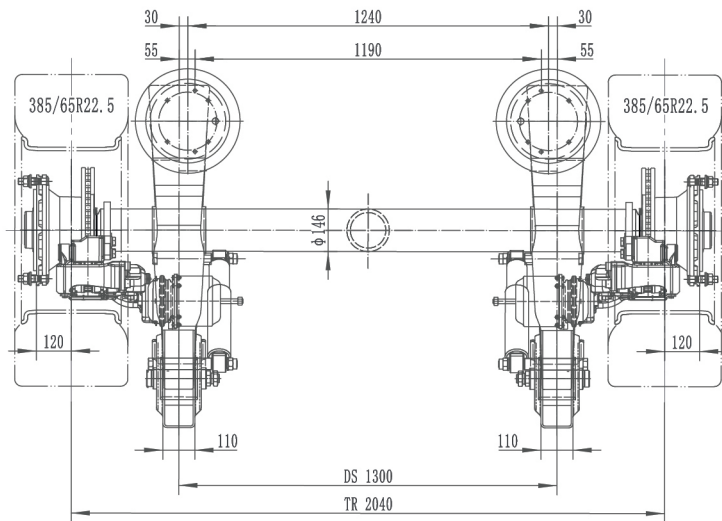
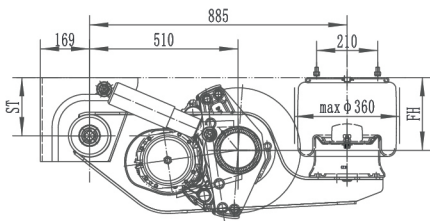


YONGLITAI AXLE

Transport your load safely
efficiently and sustainably

PRODUCT CATALOG

NAK Air Suspension

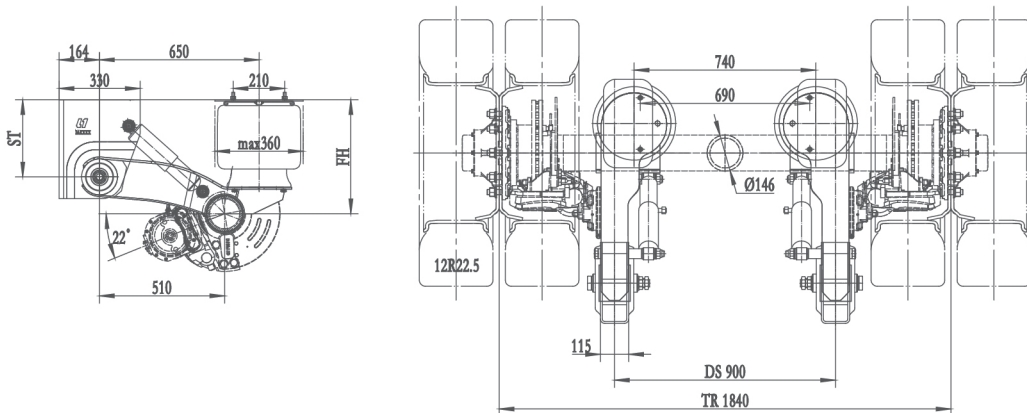
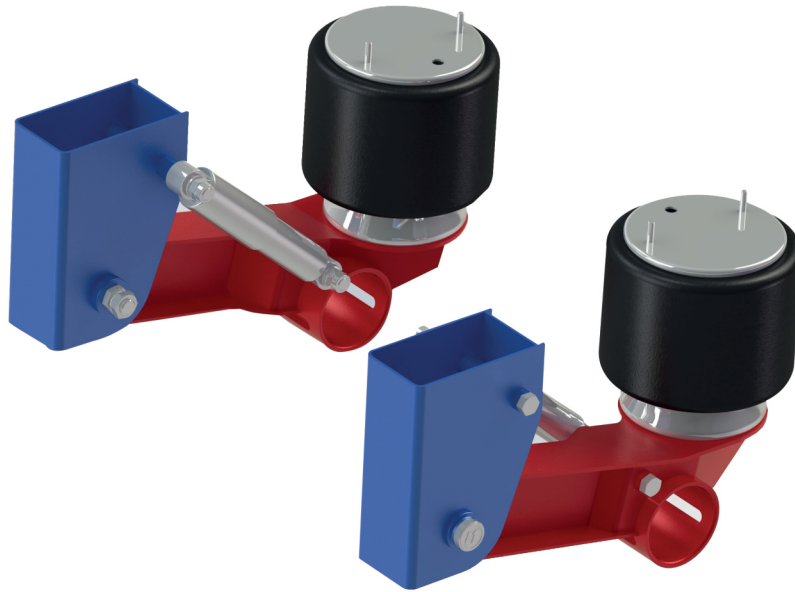


Technical parameter

Item	Load capacity	Axle beam size	Height of front hanger	Type of trailing arm	FH	Min FH value	Max FH value	Shock absorber model	Air bag model
LTNAK09	9t	Φ 146 mm	200 mm	Box Type	230-280	160 mm	355 mm	425	6338
			250 mm		280-340	205 mm	420 mm	425	6224
			300 mm		340-390	260 mm	470 mm	425	6224

- Note:**
1. Mounting height is optional.
 2. Lifting device is optional.
 3. Rights of changing product design and specification are reserved.

IAK Air Suspension

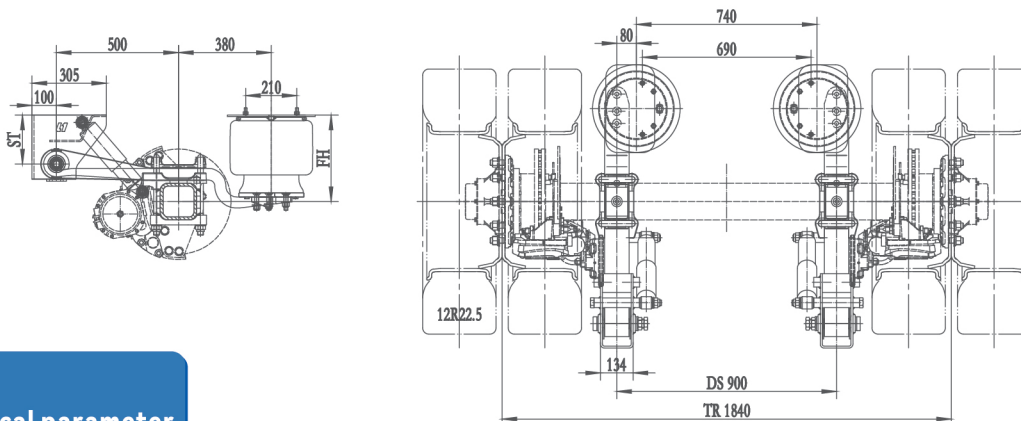
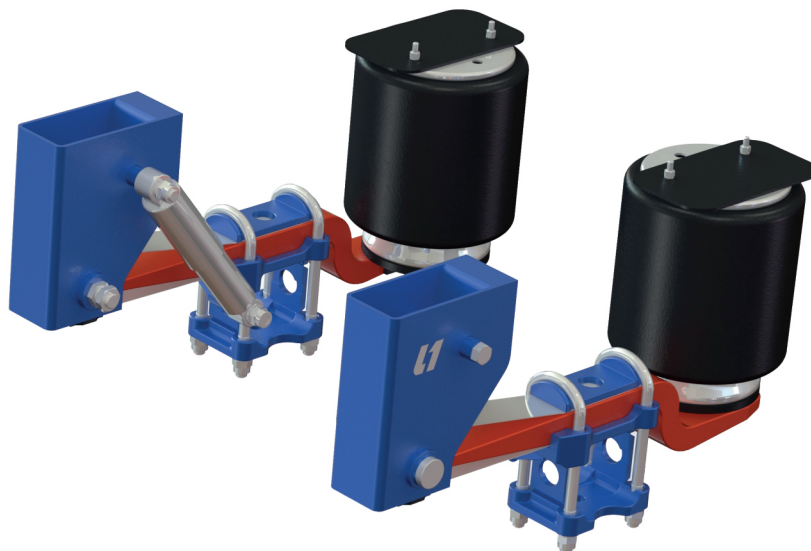


Technical parameter

Item	Load capacity	Axle beam size	Height of front hanger	Type of trailing arm	FH	Min FH value	Max FH value	Shock absorber model	Air bag model
LTIAK10	10t	Φ146mm	314mm	Beam Type	431-490mm	353mm	560mm	330-465	6338

- Note:**
1. Mounting height is optional.
 2. Lifting device is optional.
 3. Rights of changing product design and specification are reserved.

DAK Air Suspension

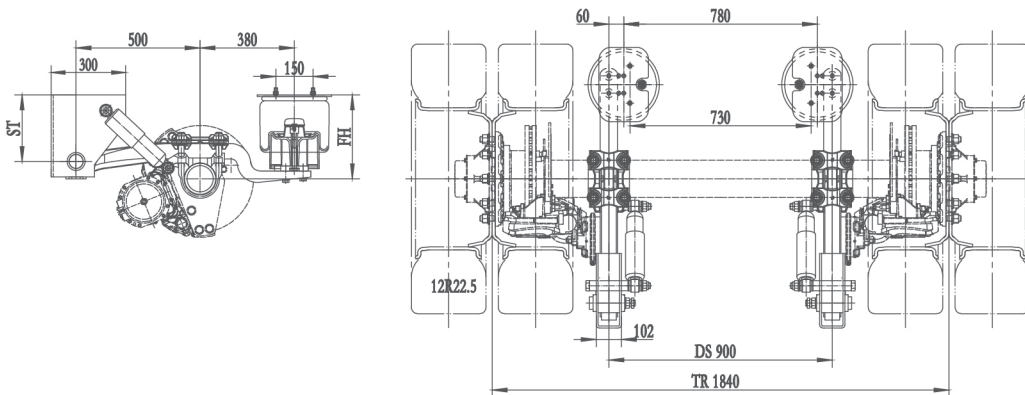
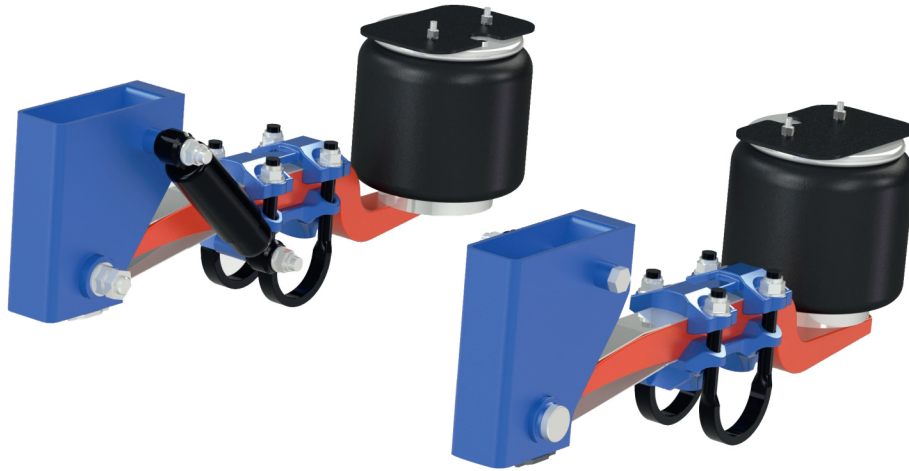


Technical parameter

Item	Load capacity	Axle beam size	Height of front hanger	Width of trailing arm	FH	Min FH value	Max FH value	Shock absorber model	Air bag model
LTD AK10	10t	□150mm	200mm	100mm	360~374mm	280mm	455mm	330-425	6338
			235mm		375~399mm	290mm	475mm	330-425	6338
			268mm		400~449mm	330mm	540mm	330-465	6224
			315mm		450~500mm	350mm	580mm	330-465	6224
LTD AK12	12t	□150mm	200mm	100mm	360~374mm	280mm	455mm	330-425	6338
			235mm		375~399mm	290mm	475mm	330-425	6338
			268mm		400~449mm	330mm	540mm	330-465	6224
			315mm		450~500mm	350mm	580mm	330-465	6224

- Note:**
1. Mounting height is optional.
 2. Lifting device is optional.
 3. Rights of changing product design and specification are reserved.

EAK Air Suspension

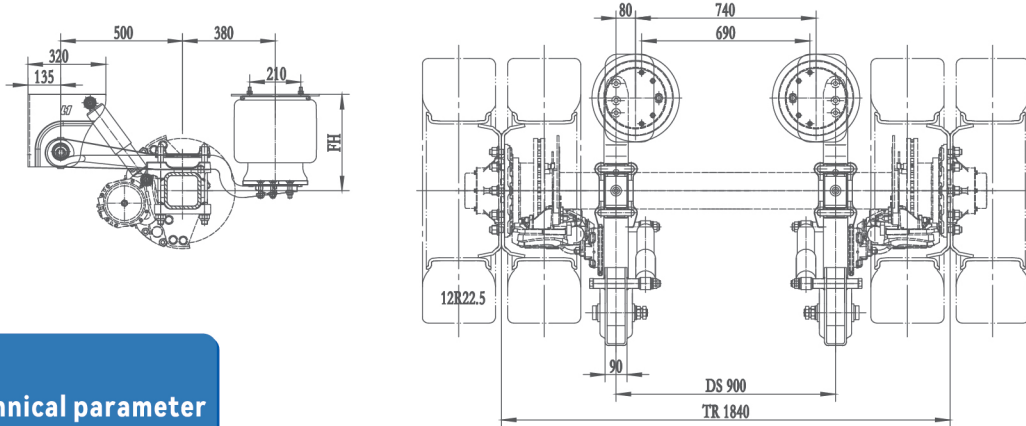
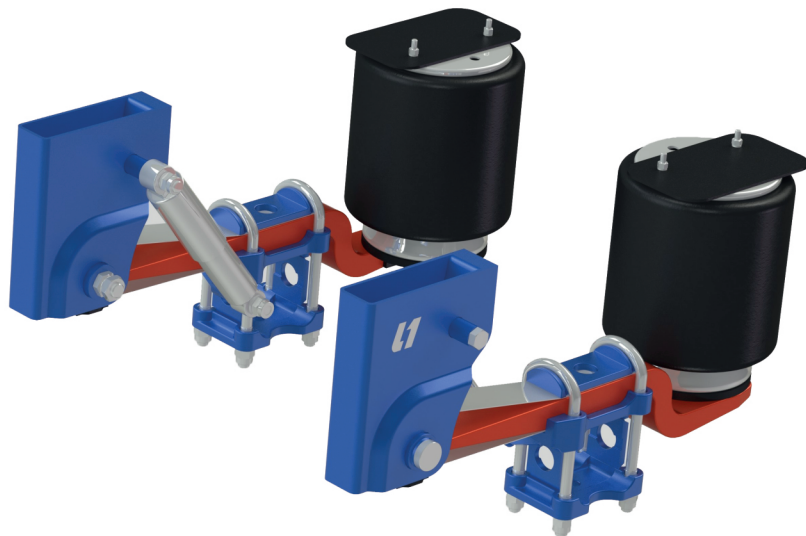


Technical parameter

Item	Load capacity	Axle beam size	Height of front hanger	Width of trailing arm	FH	Min FH value	Max FH value	Shock absorber model	Air bag model
LTEAK10	10t	Φ127mm □120mm	225mm	70mm	340~359mm	270mm	440mm	295-425	8585
			258mm		360~389mm	280mm	460mm	295-425	8585
			268mm		390~429mm	315mm	525mm	295-425	8668
			315mm		430~470mm	330mm	550mm	295-425	8668

- Note:**
1. Mounting height is optional.
 2. Lifting device is optional.
 3. Rights of changing product design and specification are reserved.

HAK Air Suspension



Technical parameter

Item	Load capacity	Axle beam size	Height of front hanger	Width of trailing arm	FH	Min FH value	Max FH value	Shock absorber model	Air bag model
LTHAK10	10t	□150mm Φ146mm Φ127mm	200mm	100mm	360~374mm	280mm	455mm	295-425	6338
			235mm		375~399mm	290mm	475mm	295-425	6338
			268mm		400~449mm	330mm	540mm	330-465	6224
			315mm		450~500mm	350mm	580mm	330-465	6224
LTHAK12	12t	□150mm Φ146mm Φ127mm	200mm	100mm	360~374mm	280mm	455mm	295-425	6338
			235mm		375~399mm	290mm	475mm	295-425	6338
			268mm		400~449mm	330mm	540mm	330-465	6224
			315mm		450~500mm	350mm	580mm	330-465	6224

- Note:**
1. Mounting height is optional.
 2. Lifting device is optional.
 3. Rights of changing product design and specification are reserved.

The Customized Solution Provider for Running Gear Systems

YONGLITAI AXLE CO.,LTD.

- 🏠 Add.1: F1, F2, No.1, Zone E, Yonglitai Industrial Park,
Sanshui, Foshan, Guangdong, China
Add.2: Mohe Community, Economic Development Zone,
Gucheng, Xiangyang, Hubei, China
- ☎ Tel: +86-757-88311381(Oversea)
+86-757-88311360(Foshan)
+86-0710-7402969(Hubei)
- ☎ Fax: +86-757-88311322
- ✉ E-mail: sales@lctmc.com
- 🌐 Website: www.lctmc.com