



YONGLITAI AXLE

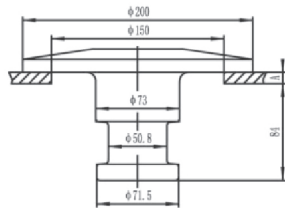
Transport your load safely
efficiently and sustainably

PRODUCT CATALOG

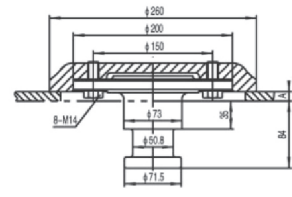
King Pin Series



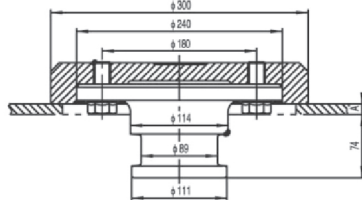
LT-XH50



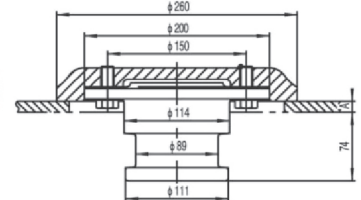
LT-XZ50



LT-XZ90A

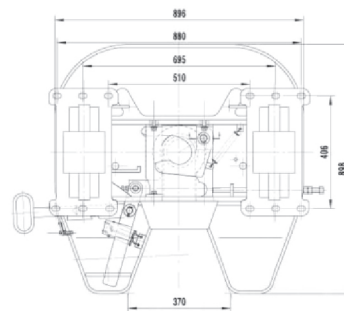
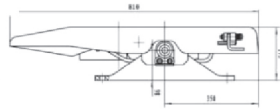
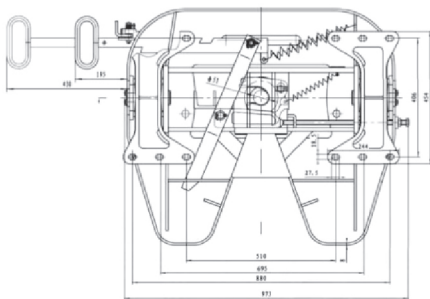


LT-XZ90C



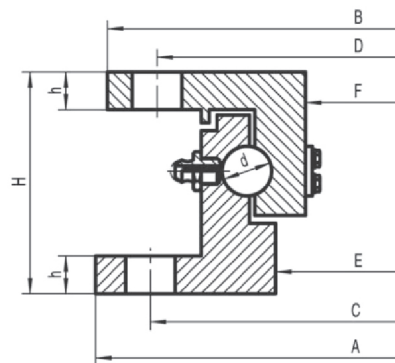
| Item | Name | Spec | Slide plate thickness(a) |
|----------------------|--------------------------------|-----------|--------------------------|
| LT-XH50-08/10/12 | LT-XH50(2" Welding type) | 2"-50mm | 8/10/12mm |
| LT-XZ50-08/10/12 | LT-XZ50(2" Assembling type) | 2"-50mm | 8/10/12mm |
| LT-XZ90A-10/12/14/16 | LT-XZ90A(3.5" Assembling type) | 3.5"-90mm | 10/12/14/16mm |
| LT-XZ90C-10/12/14/16 | LT-XZ90C(3.5" Assembling type) | 3.5"-90mm | 10/12/14/16mm |

Fifth Wheel Series

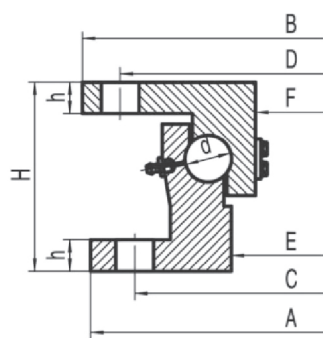


| Item | Name | Mounting height | Vertical load | Net weight | Max authorized total mass |
|-----------------|------------------|-----------------|---------------|------------|---------------------------|
| LT-QD50-150(6) | 2" Fifth Wheel | 152mm | 20000kg | 124kg | 65000kg |
| LT-QD50-170(4) | 2" Fifth Wheel | 170mm | 20000kg | 125kg | 65000kg |
| LT-QD50-170(6) | 2" Fifth Wheel | 170mm | 20000kg | 125kg | 65000kg |
| LT-QD90B-185(6) | 3.5" Fifth Wheel | 185mm | 20000kg | 126kg | 80000kg |
| LT-QD90D-200(6) | 3.5" Fifth Wheel | 200mm | 25000kg | 188kg | 100000kg |

Turn Table Series

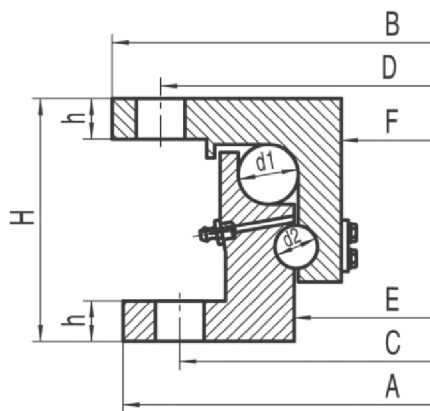


LT1005DG/LT1013DG



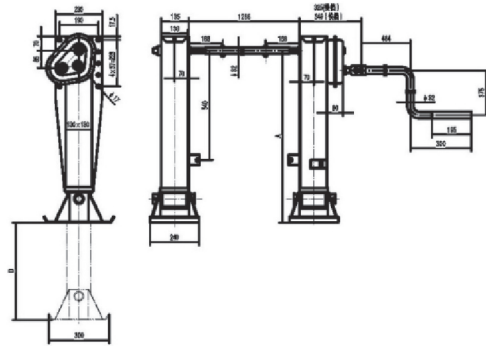
LT1110DG

| Item | A | B | C | D | E | F | h | H | d | Net weight | Capacity |
|----------|--------|--------|--------|--------|-------|-------|--------|------|----------|------------|----------|
| LT1005DG | 1015mm | 1005mm | 980mm | 972mm | 890mm | 872mm | 14mm | 80mm | 15.875mm | 73kg | 8000kg |
| LT1013DG | 1022mm | 1013mm | 980mm | 975mm | 884mm | 861mm | 14.5mm | 85mm | 19.05mm | 85kg | 8000kg |
| LT1110DG | 1102mm | 1110mm | 1060mm | 1074mm | 968mm | 945mm | 15mm | 90mm | 22.225mm | 98kg | 12000kg |

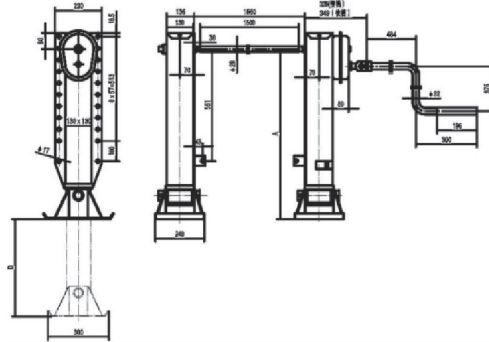


| Item | A | B | C | D | E | F | h | H | d1 | d2 | Net weight | Capacity |
|----------|--------|--------|--------|--------|--------|--------|------|------|----------|----------|------------|----------|
| LT1000SG | 1000mm | 1000mm | 964mm | 964mm | 866mm | 834mm | 14mm | 90mm | 17.46mm | 12.7mm | 88kg | 15000kg |
| LT1110SG | 1102mm | 1110mm | 1060mm | 1074mm | 975mm | 940mm | 15mm | 90mm | 22.225mm | 15.875mm | 100kg | 20000kg |
| LT1208SG | 1195mm | 1208mm | 1160mm | 1175mm | 1079mm | 1042mm | 17mm | 94mm | 22.225mm | 15.875mm | 118kg | 30000kg |

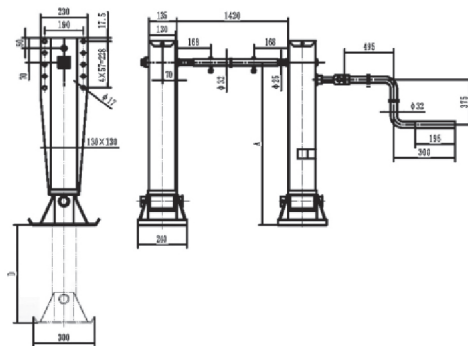
Landing Gear Series



| Item | Part NO. | Lift | Height | Capacity | Static load |
|------------|----------|-------|--------|----------|-------------|
| LTD280001T | T | 330mm | 794mm | 28t | 80t |
| LTD280002T | T | 480mm | 844mm | 28t | 80t |

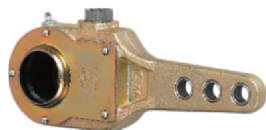


| Item | Part NO. | Lift | Height | Capacity | Static load |
|------------|----------|-------|--------|----------|-------------|
| LTG280001T | T | 430mm | 830mm | 28t | 80t |
| LTG280002T | T | 480mm | 880mm | 28t | 80t |

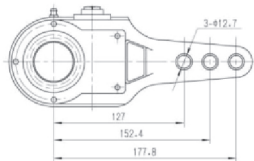


| Item | Part NO. | Lift | Height | Capacity | Static load |
|------------|----------|-------|--------|----------|-------------|
| LTE280001T | T | 430mm | 780mm | 28t | 80t |
| LTE280002T | T | 480mm | 830mm | 28t | 80t |

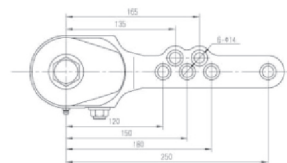
Slack Adjuster Series



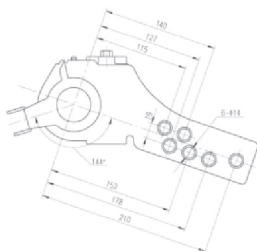
LTAM0101



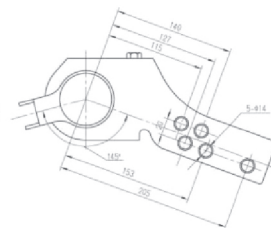
LTGM0101



LTAA0201

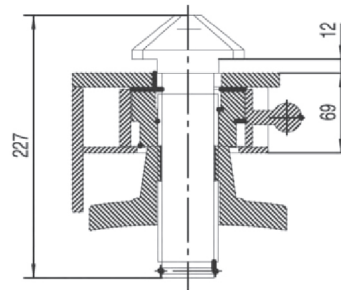
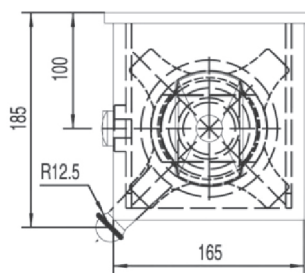
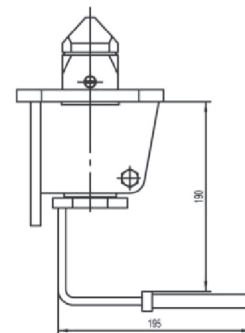
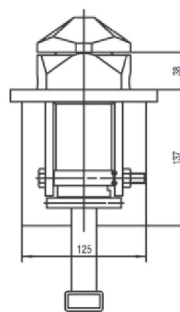
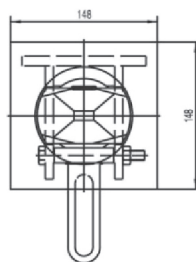


LTGA0201

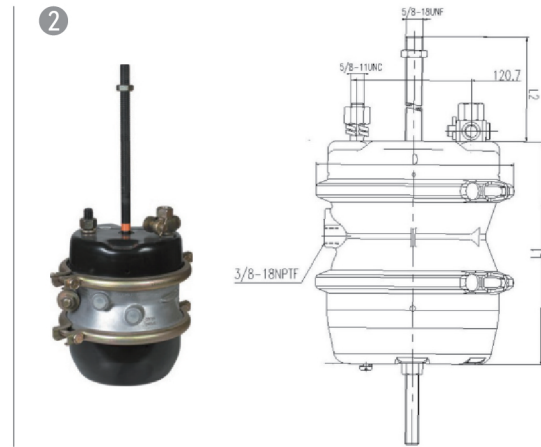
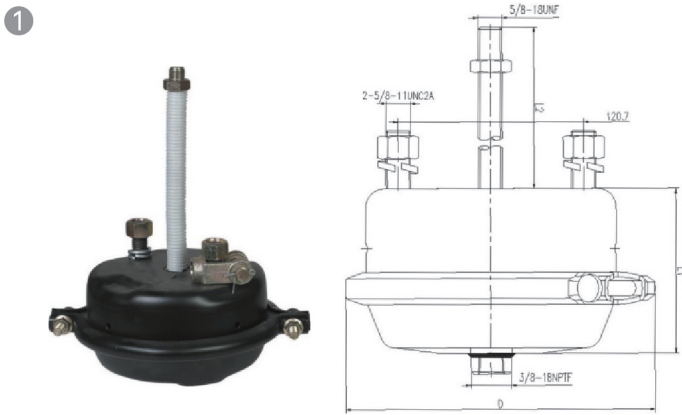


| Item | Name | Multiple parameter |
|----------|-------------------------------------|--------------------|
| LTAM0101 | American type manual slack adjuster | 37 teeth |
| LTAA0201 | American type auto slack adjuster | 37 teeth |
| LTGM0101 | German type manual slack adjuster | 10 teeth |
| LTGA0201 | German type auto slack adjuster | 10 teeth |

Twist Lock Series

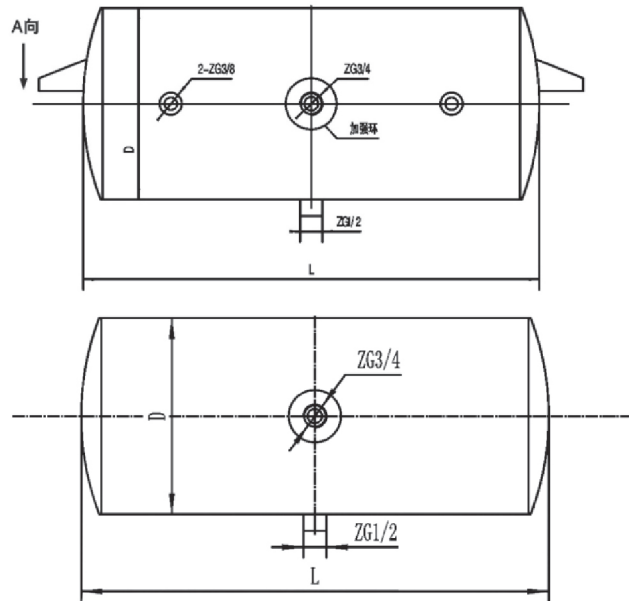
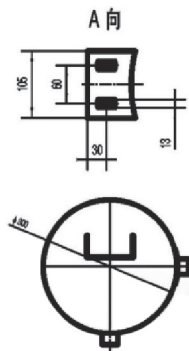


Air Brake Chamber Series



| Item | Stroke | (Max diameter) | L1 | L2(Push rod thread length) | Push rod thread | Air inlet thread | Mounting bolt thread | Mounting angle included band & mounting bolt | |
|------|--------|----------------|-------|----------------------------|-----------------|------------------|----------------------|----------------------------------------------|-----|
| 1 | T24 | 64mm | 232mm | 123±5mm | 200±5mm | 5/8"-18UNF2A | 3/8"-18NPTF | 5/8"-11UNC2A | 45° |
| | T30 | 64mm | 250mm | 123±5mm | 200±5mm | 5/8"-18UNF2A | 3/8"-18NPTF | 5/8"-11UNC2A | 45° |
| 2 | T2424 | 64mm | 232mm | 224±5mm | 265±5mm | 5/8"-18UNF2A | 3/8"-18NPTF | 5/8"-11UNC2A | 45° |
| | T3030 | 64mm | 250mm | 224±5mm | 265±5mm | 5/8"-18UNF2A | 3/8"-18NPTF | 5/8"-11UNC2A | 45° |

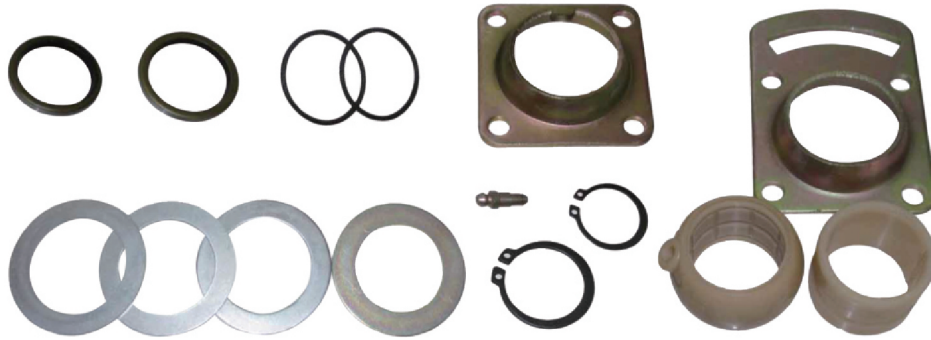
Air Tank Series














| Item | Diameter | Length | Volume | Thickness |
|------------|----------|--------|--------|-----------|
| LT-CQT-42L | 260mm | 740mm | 40L | 2.3mm |
| LT-CQT-48L | 300mm | 715mm | 48L | 2.3mm |
| LT-CQT-60L | 300mm | 860mm | 60L | 2.3mm |

Camshaft Repair Kit for American Type

Quantity for half axle



| NO. | Picture | Name | Specification | Half axle quantity | Whole axle quantity |
|-----|-------------------------------------------------------------------------------------|--------------------------|--------------------|--------------------|---------------------|
| 1 |  | Camshaft little washer | D13F28-018 | 1 | 2 |
| 2 |  | Camshaft big washer | D13F28-017 | 3 | 6 |
| 3 |  | Cam bush | D13F28-014A | 1 | 2 |
| 4 |  | Cam bearing | D13F28-022 | 1 | 2 |
| 5 |  | O ring | GB3452.1-40 x 3.55 | 2 | 4 |
| 6 |  | Framework seal ring | D13F28-043B | 2 | 4 |
| 7 |  | Grease nipple | JB7940.1-M6 | 1 | 2 |
| 8 |  | Circlip for axle-A style | GB894.1-38 | 1 | 2 |
| 9 |  | Circlip for axle-A style | GB894.1-42 | 1 | 2 |
| 10 |  | Bearing box I | D13F28-019 | 1 | 2 |
| 11 |  | Bearing box II | D13F28-021 | 1 | 2 |

Note: The parts of Brake lining repair kit for American type are the same except D11Y10 series.

Camshaft Repair Kit for German Type

Quantity for half axle



| NO. | Picture | Name | Specification | Half axle quantity | Whole axle quantity |
|-----|---------|---------------------|----------------------|--------------------|---------------------|
| 1 | | Big-dust wrapper | GD12F11-034 | 1 | 2 |
| 2 | | Middle-dust wrapper | GD12F11-067 | 2 | 4 |
| 3 | | Small nylon ring | GD12F11-037 | 1 | 2 |
| 4 | | Cam bearing | GD12F11-029 | 1 | 2 |
| 5 | | Circlip | GD12F11-026A | 2 | 4 |
| 6 | | O ring | GB3452.1-40x2.5 | 1 | 2 |
| 7 | | Circlip | GD12F11-036 | 2 | 4 |
| 8 | | Thrust ring | GD12F11-059 | 1 | 2 |
| 9 | | Cam bush | GD12F11-022A | 1 | 2 |
| 10 | | Grease nipple | JB7940.2-M8 x 1(45°) | 1 | 2 |
| 11 | | Bearing box I | GD12F11-032A | 1 | 2 |
| 12 | | Bearing box II | GD12F11-033 | 1 | 2 |

Note: The parts of Camshaft repair kit for German type are all the same.

Brake Lining Repair Kit for American Type

| NO. | Picture | Name | Specification | Half axle quantity | Whole axle quantity |
|-----|---------|-------------------|-----------------|--------------------|---------------------|
| 1 | | Anchor pin | D13F28-031/031A | 2 | 4 |
| 2 | | Rotator pin | D13F28-012/012A | 2 | 4 |
| 3 | | Fixed pin bush | D13F28-032 | 2 | 4 |
| 4 | | Return spring | D13F28-033/033A | 1 | 2 |
| 5 | | Retaining spring | D13F28-039/039A | 2 | 4 |
| 6 | | Pin spring clip | D13F28-025/025A | 2 | 4 |
| 7 | | Return spring pin | D13F28-038 | 2 | 4 |

Quantity for half axle



Note: The parts of Brake lining repair kit for American type are the same except D11Y10 series.

Brake Lining Repair Kit for German Type

| NO. | Picture | Name | Specification | Half axle quantity | Whole axle quantity |
|-----|---------|---------------------|------------------|--------------------|---------------------|
| 1 | | Return spring | GD12F11-019/019A | 1 | 2 |
| 2 | | Retaining spring I | GD12F11-013/013A | 1 | 2 |
| 3 | | Retaining spring II | GD12F11-014/014A | 1 | 2 |
| 4 | | Anchor pin | GD12F11-056 | 2 | 4 |
| 5 | | Cam roller | GD12F11-064 | 2 | 4 |
| 6 | | Bush | GD12F11-021A | 2 | 4 |
| 7 | | Ring | GD12F11-023/023A | 4 | 8 |
| 8 | | Cam roller | GD12F11-063 | 2 | 4 |

Quantity for half axle



Note: Except LTD18F10GT, LTD18F11G the two have anchor pin of GD18F16T-56. the left types are the same parts.

The Customized Solution Provider for Running Gear Systems

YONGLITAI AXLE CO.,LTD.

- 🏠 Add.1: F1, F2, No.1, Zone E, Yonglitai Industrial Park,
Sanshui, Foshan, Guangdong, China
Add.2: Mohe Community, Economic Development Zone,
Gucheng, Xiangyang, Hubei, China
- ☎ Tel: +86-757-88311381(Oversea)
+86-757-88311360(Foshan)
+86-0710-7402969(Hubei)
- ☎ Fax: +86-757-88311322
- ✉ E-mail: sales@lctmc.com
- 🌐 Website: www.lctmc.com